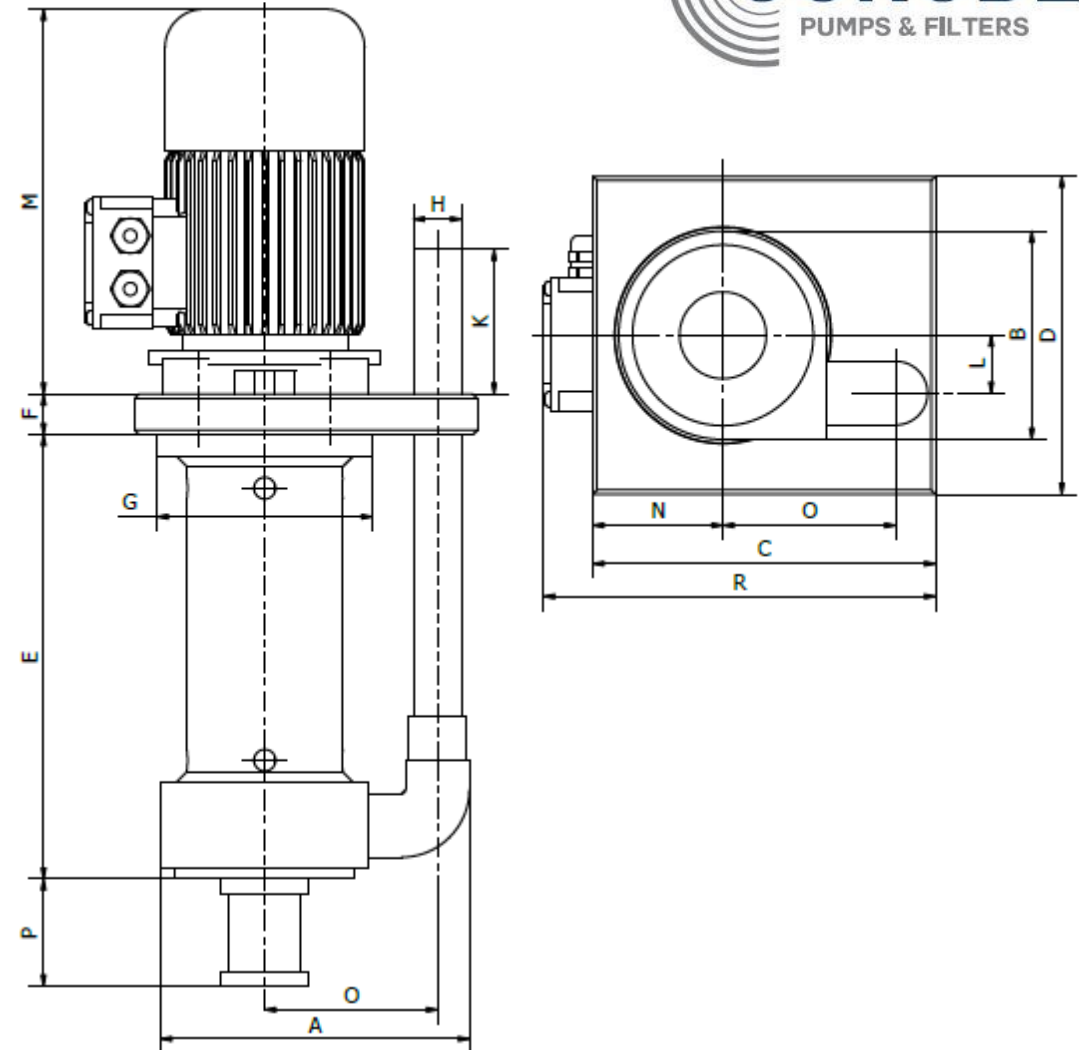
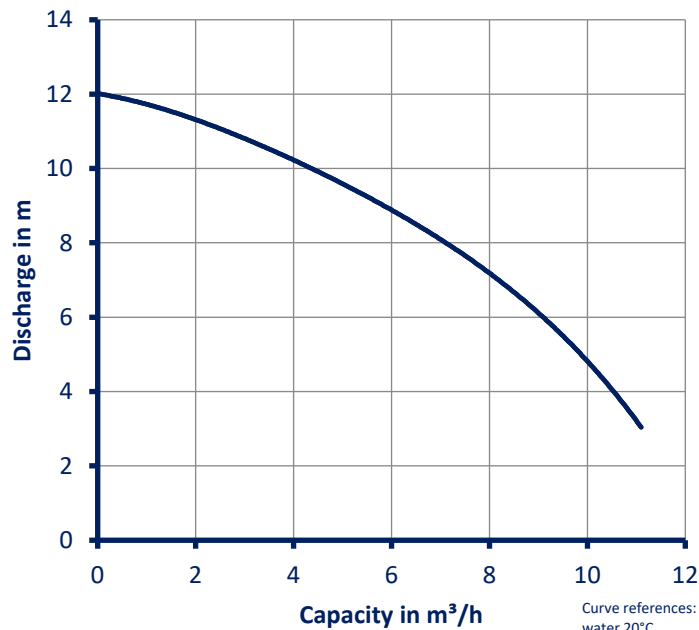


Technical data Corode CS vertical pump

CS300-055 PP/ PVDF

| | |
|---------------------|---|
| Materials available | :PP or PVDF |
| O-ring | :EPDM or Viton |
| Max. flow | :11.1m ³ /h |
| Max. head | :11,8m. |
| Max. temperature | :PP 75°C; PVDF 90°C |
| Motor | :0.55kW, 400V, 2.3/1.32Amp, 3Ph, 50Hz, IP55 |

CS300-055



| | A | B | C | D | E | F | G | H | K | L | M | N | O | P | R |
|------------------|-----|-----|-----|-----|-----|----|-----|----|----|----|-----|----|-----|----|-----|
| CS300-055 | 205 | 144 | 227 | 220 | 305 | 25 | 150 | 32 | 95 | 40 | 230 | 90 | 110 | 70 | 245 |

www.corode.eu

tel: +31 (0)161-244250

corode@corode.nl